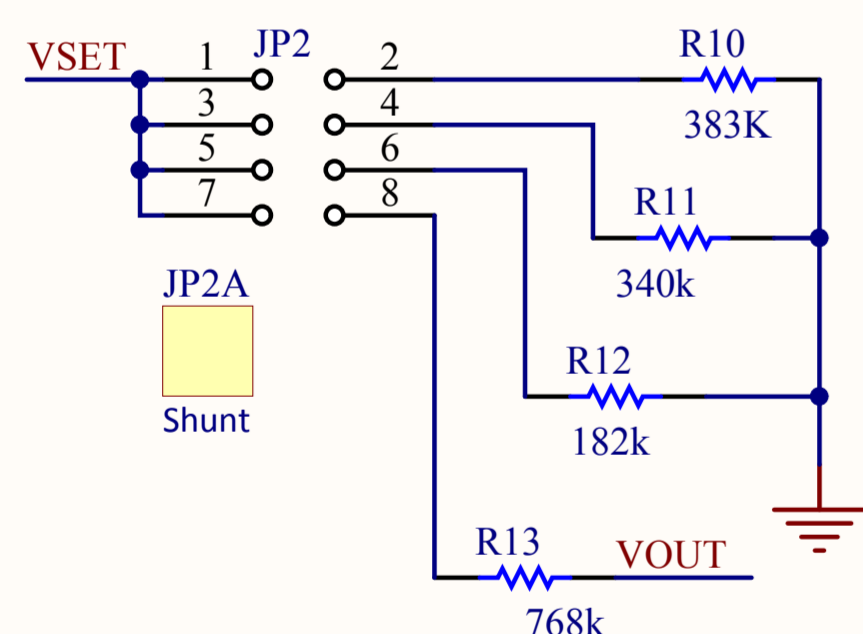
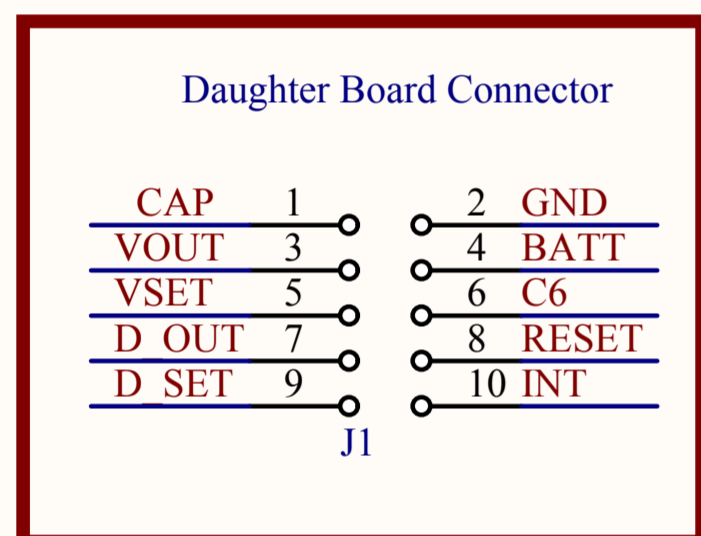
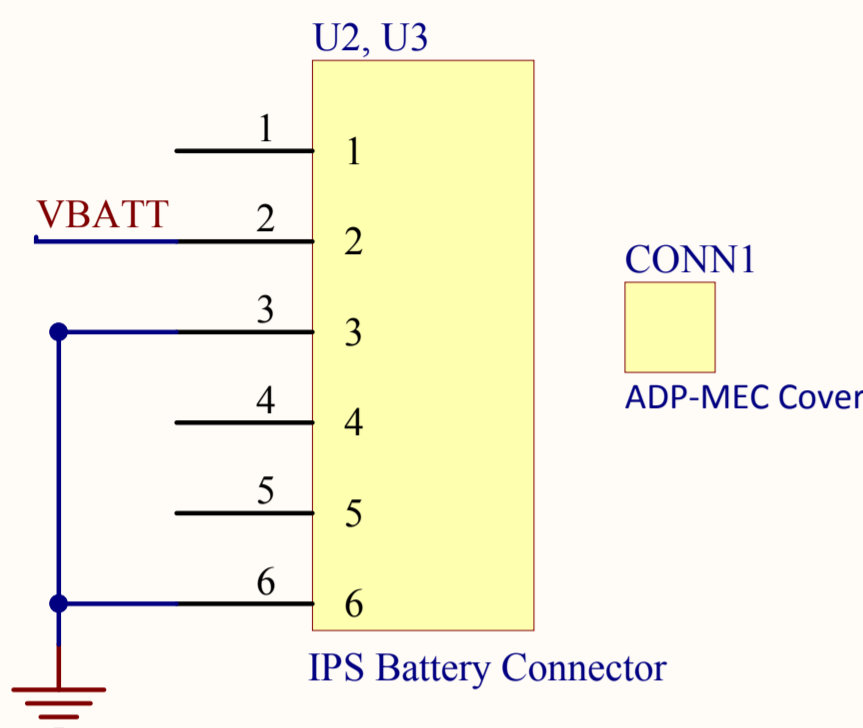
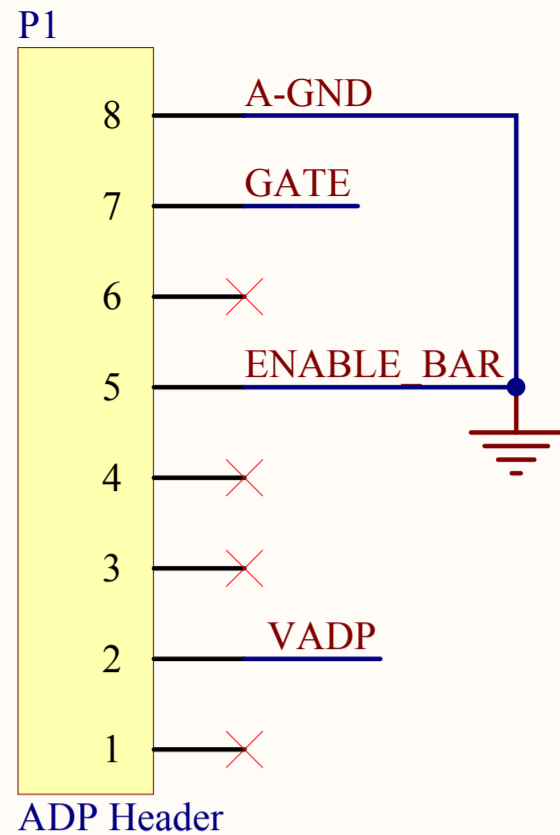


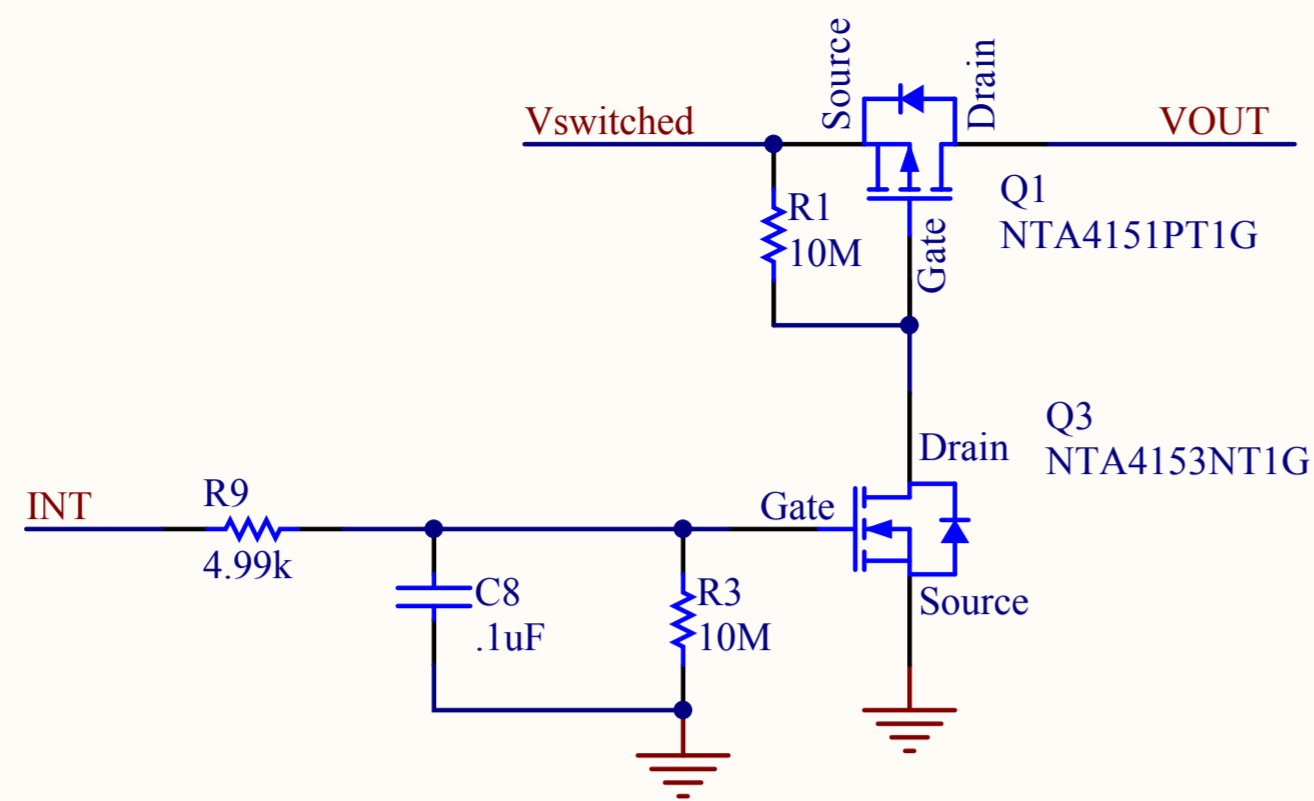
Connectors

Cable Part Number: A9BBG-0808F-ND

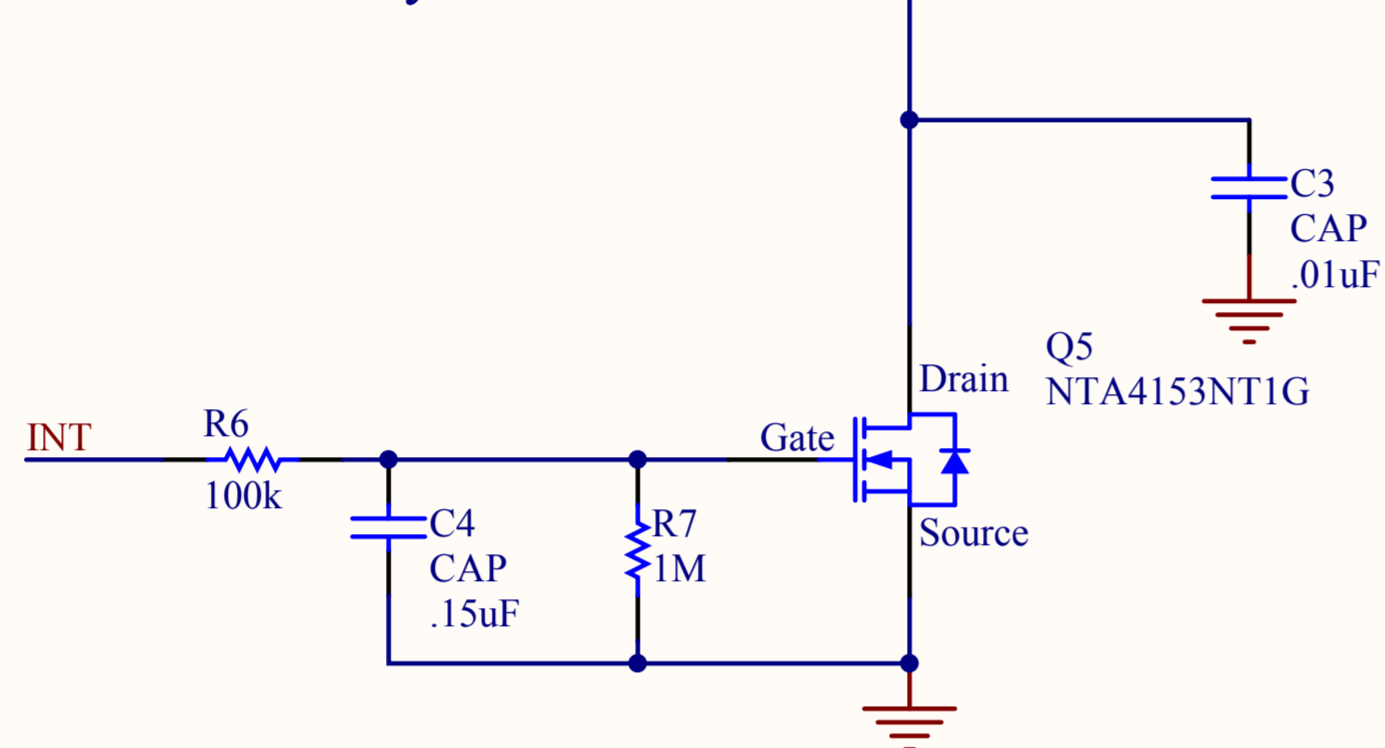


- 383K = 4.1V output
- 338K = 4.2V output
- 182.5K = 4.95V output
- 768.5K = 2.8V output

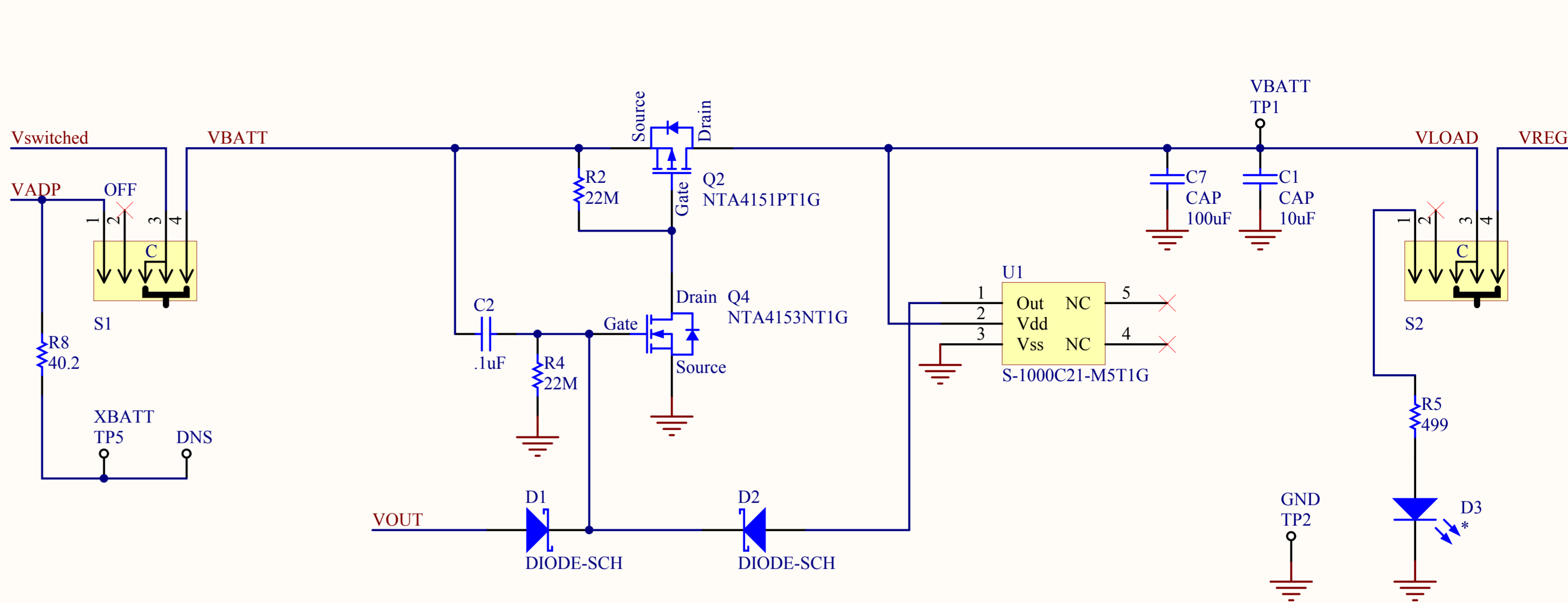
Delay + Switch



Inverter + delay

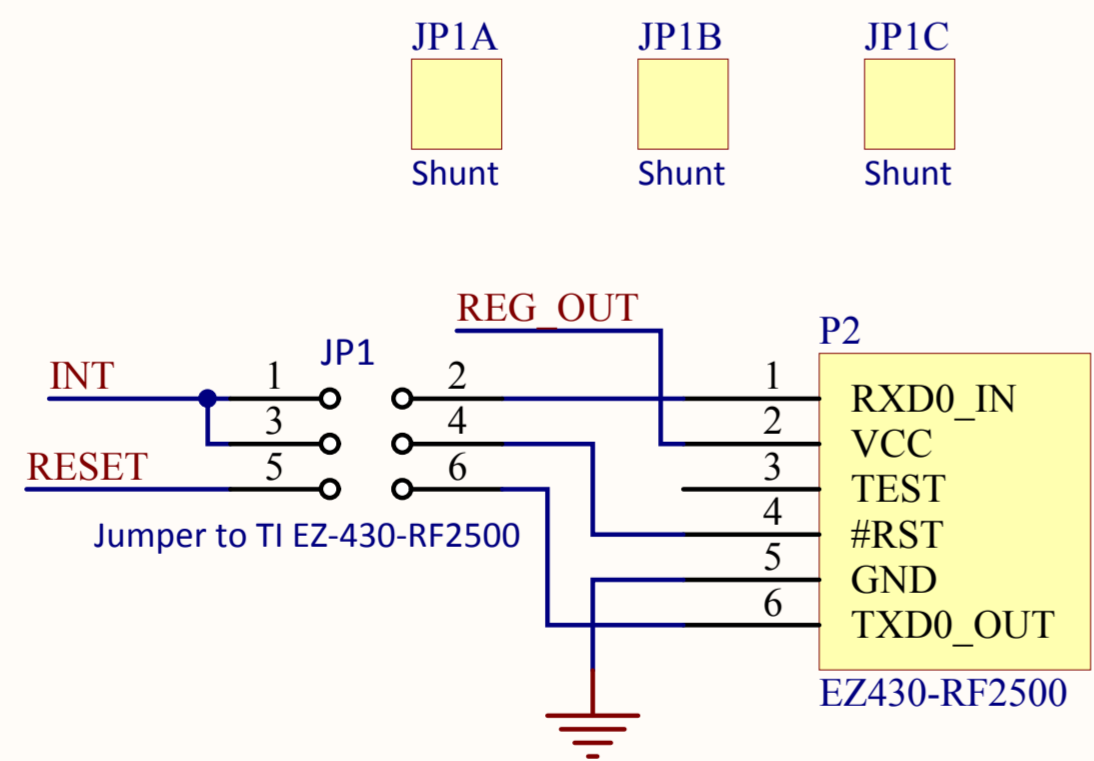
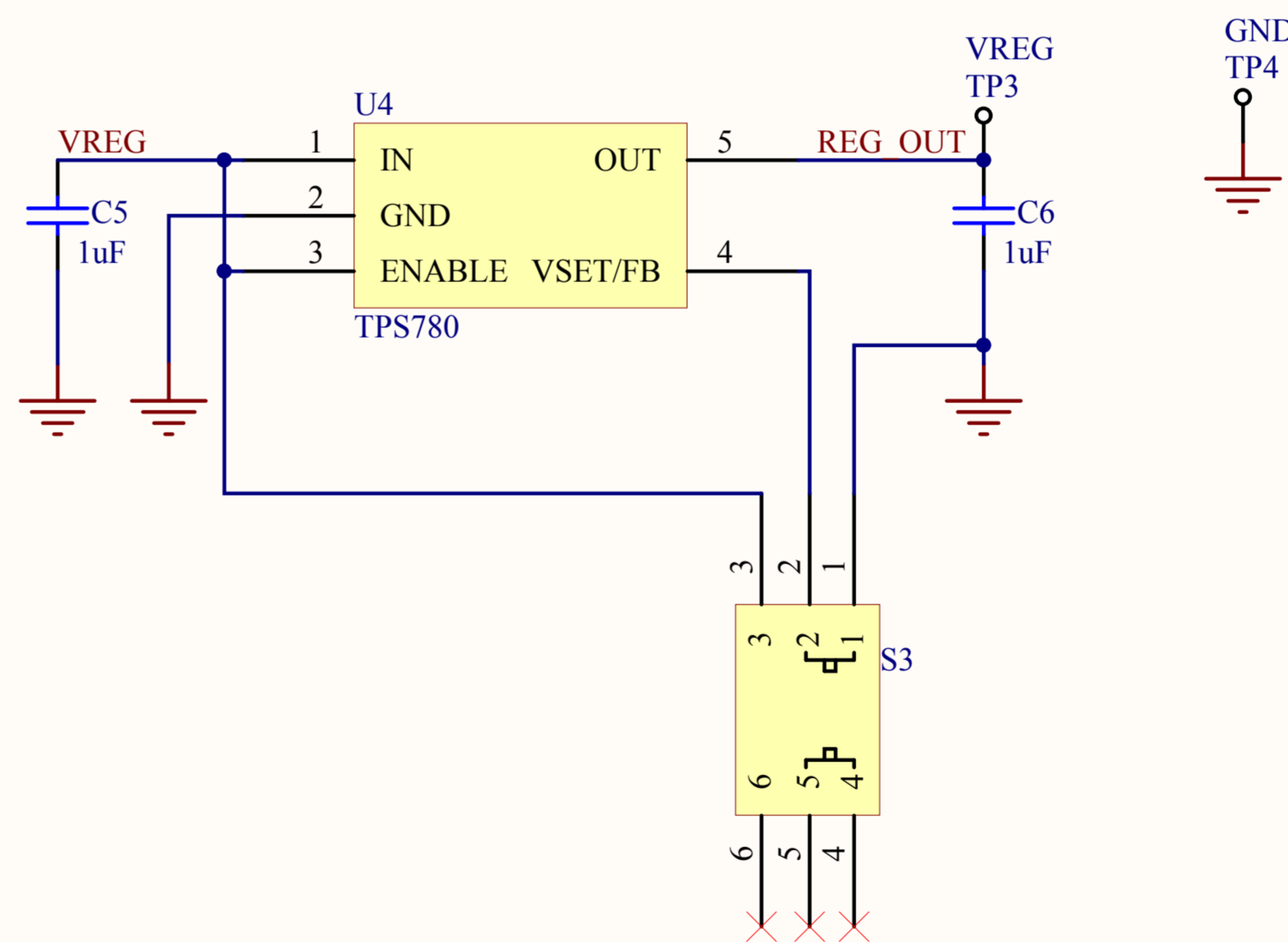


Under Voltage Protection High Side Switch



2.7V / 2.0V Regulator

Enable needs pulled high to turn on



PCB Info:	Title: Lifetime Power for Battery Charging		<p>CONFIDENTIAL Copyright 2010 Powercast 566 Alpha Dr Pittsburgh PA 15238</p>	
PCB1	Number: EVB-IPS	Revision: 0A		
EVB-IPS-PCB	Size: B	Date: 1/13/2011		Sheet 1 of 2
	File: EVB-IPS.SchDoc			